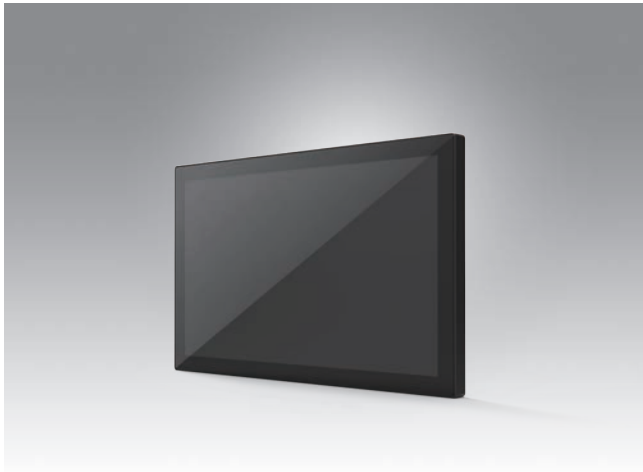


VUE-2101 Series

10.1" Panel Mount Monitor



Features

- 10.1" active screen size
- 6-axis color adjustment (Green/Red/Blue/Cyan/Magenta/Yellow) for high level and more accuracy customized image
- Full-flat cover glass for extremely simple and elegant surface design
- Anti-glare (AG) treatment on screen for comfortable viewing experience
- Built-in multiple I/O interfaces for diverse media connectivity
- Adopts industrial-grade components for guaranteed performance
- Mount with multi-way and easy to extend peripheral devices (box PC/camera...)
- Front IP65 water-proof rating and IK08 high-level impact protection

(for PCAP touch model)

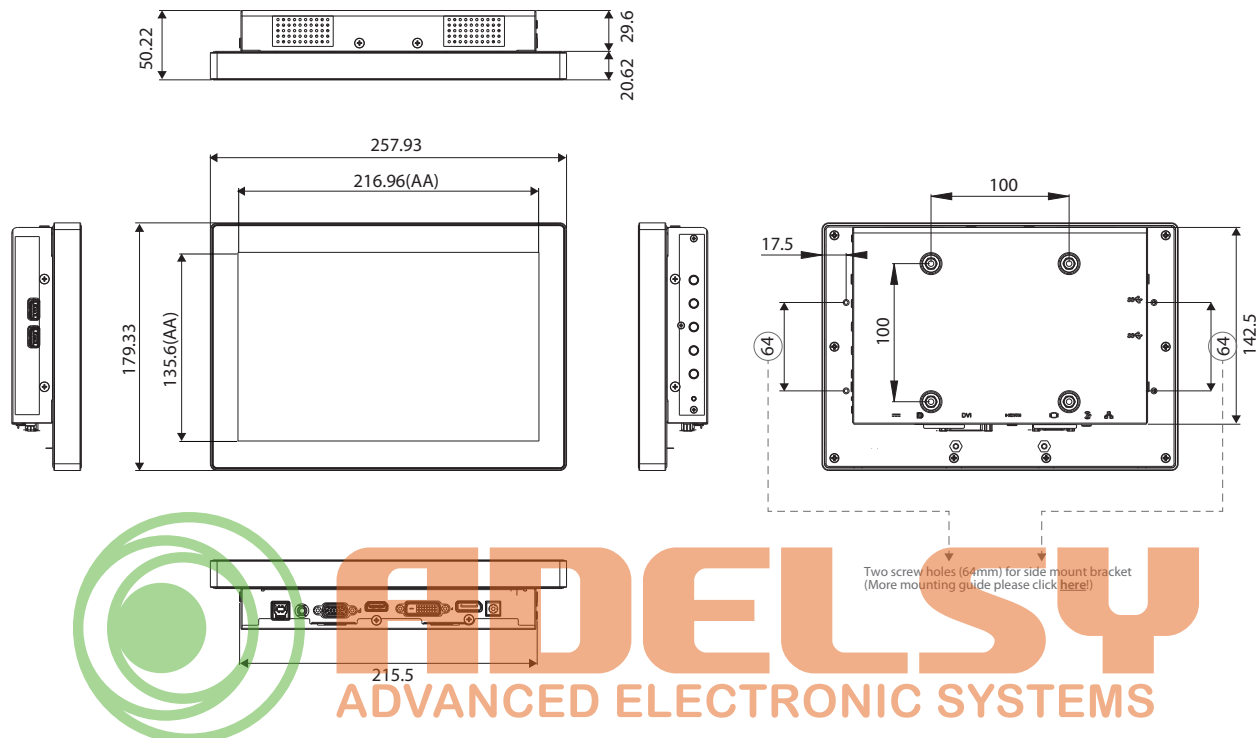
- Support 10-point touch function (PCAP technology)
- Excellent noise immunity well-suited for rugged applications (CS 10V)
- Support many touch method including fingers, glove, and stylus

Specifications

Model	PCAP touch		None touch	
Brand	Advantech			
Display	Active Screen Size	10.1 inch		
	Resolution	1280 x 800 (WXGA)		
	Brightness	500 nits (LCM panel, typ.)		
	Contrast Ratio	1300:1 (Typ.)		
	Aspect Ratio	16:10		
	Viewing Angle	85° / 85° / 85° / 85°		
	Response Time	25 ms (Typ.)		
	Backlight Life (hours)	50,000 (Typ.)		
Touch	Touch Type	Projected Capacitive Touch (PCAP)	N/A	
	Touch Function	10 points	N/A	
	Touch Interface	USB	N/A	
Connectivity	Input	Video	VGA x 1, HDMI x 1, DVI-D x 1, DisplayPort x 1	
		Audio	Audio line in x 1	
		Control	USB typeB 3.0 x 1 (for touch function)	
		Others	USB typeA 3.0 x 2	
	Output	Video	N/A	
		Audio	2W+2W Internal Speaker	
Control		N/A		
Control	OSD Function	Hot key (ON/OFF, LIFT, RIGHT, MENU, AUTO)		
	OSD Language	English, French, Korea, Portuguese, Russian, Simplified Chinese, Spanish, Traditional Chinese		
Power	Power Type	External AC to DC power adapter, 20V, 45W		
	Power Input	100-240V _{AC} , 50-60Hz, 2.25A		
	Power Consumption	ON: <35W; SLEEP: <0.5W; OFF: <0.3W		
Environment	Operating	Temperature	0°C - +40°C	
		Humidity	10% to 85% (non-condensing)	
	Storage	Temperature	-25°C ~ 55°C	
		Humidity	5% to 93% (non-condensing)	
Mechanical Specification	Housing Material	0.8 mm sheet metal (Black)		
	VESA Compatibility	100 x 100 mm		
	Dimensions (W x H x D)	Physical	258 x 180 x 51 mm	
		Packing	333 x 195 x 245 mm	
	Weight	Net	1.5 Kg	
Gross		3.0 Kg		
Installation	Mounting on a wall/machine	100 x 100 mm, VESA grid		
	Mounting with stand/arm	100 x 100 mm, VESA grid		
	Mounting through bracket	64 mm, Side mount screw hole		
Approbation	Certificates	IEC/EN 60950+62368, UL62368, CE, FCC, UKCA, CCC, BSMI		
Warranty		2-year (1-year for panel)		

Dimensions

Unit: mm [inch]



Ordering Information

Part Number		Description	Packing List
PCAP touch model	None touch model		
VUE-2101-WX50PA-A4	VUE-2101-WX50MA-A4	Advantech 10.1" WXGA Panel Mount Monitor (incl. Japan, Korea, Australia, and Middle East Power Cord)	<ul style="list-style-type: none"> ▪ Power Cord (1.5M, Black) ▪ Power Adaptor (1.5M, Black) ▪ VGA Cable (1.5M, Black) ▪ HDMI Cable (1.5M, Black) ▪ DisplayPort Cable (1.5M, Black) ▪ DVI Cable (1.5M, Black) ▪ USB Cable (1.8M, Black), for touch, PCAP model only ▪ Audio Cable (1.5M, Black) ▪ Side Mount Bracket kit ▪ Startup Manual (Paper)
VUE-2101-WX50PC-A4	VUE-2101-WX50MC-A4	Advantech 10.1" WXGA Panel Mount Monitor (incl. China Power Cord)	
VUE-2101-WX50PX-A4	VUE-2101-WX50MX-A4	Advantech 10.1" WXGA Panel Mount Monitor (incl. Europe, Taiwan, UK and US Power Cord)	

Optional Accessories

Part Number	Description
960T-A15DEE-B0	Active Stylus Pen for VUE-2000 series, Black
960T-SD-10H10-L	Desktop Stand for VUE-2000, VESA100x100, Large, support up to 7kg